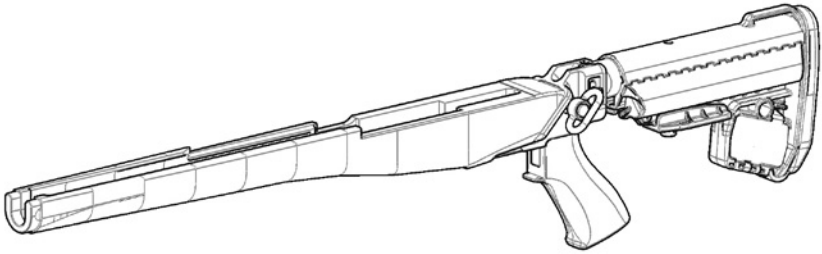


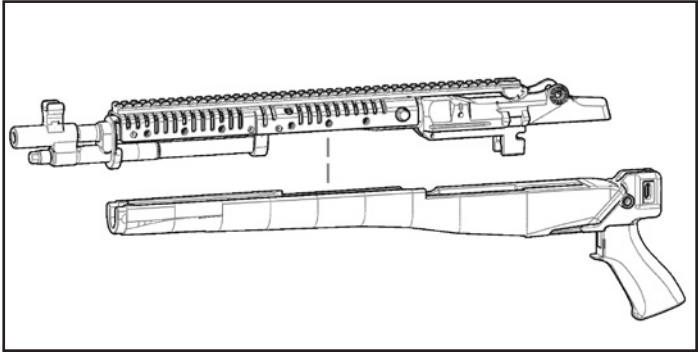


M14/M1A Improved Modstock

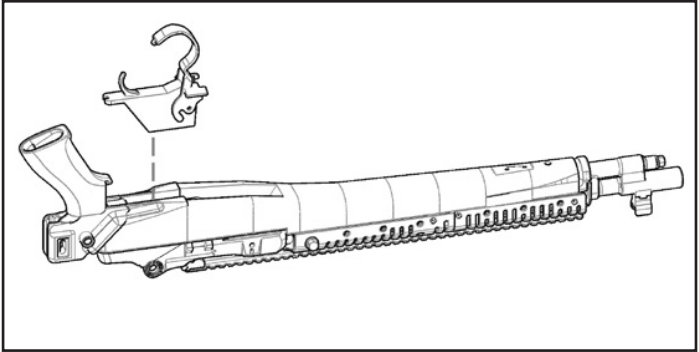


Improper installation can result in damage. Do not attempt installation if you are not familiar with the firearm, tools and techniques involved. You are responsible for any damage or injury resulting from the improper use or installation of this product.

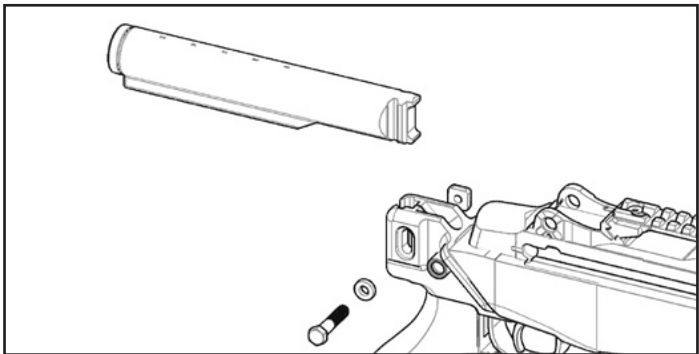
Prior to installation, ensure the rifle is UNLOADED and SAFE, and read all instructions, warnings and notes. It is recommended that the installation of this product be completed by a qualified gunsmith or agency armorer.



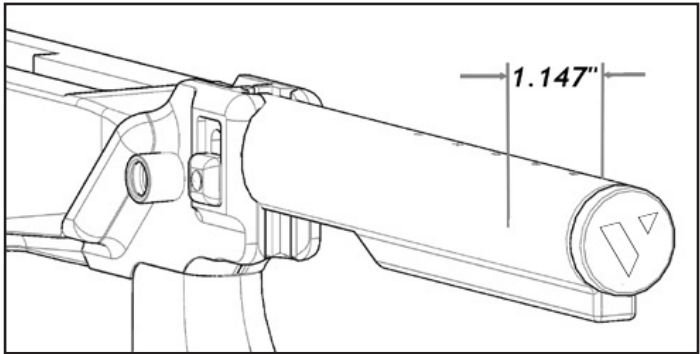
1. With original stock removed, drop barreled action into M14/M1A Improved Modstock.



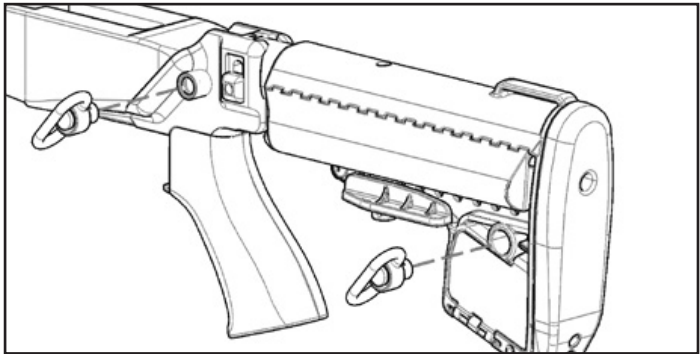
2. Install trigger group to secure stock. The trigger group will be tight when locking down in the receiver.



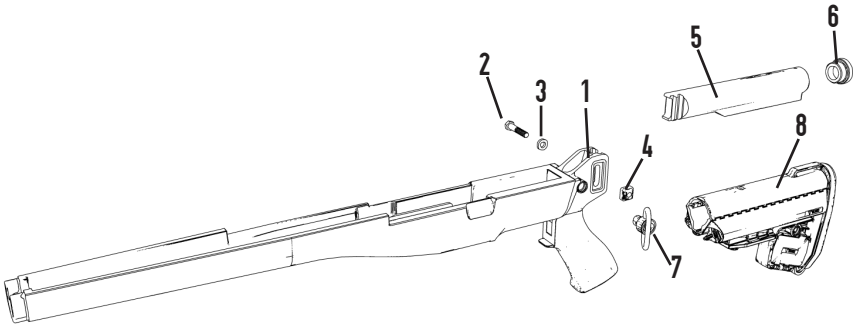
3. Slide Receiver Extension Tube into M1A Adapter dovetail. Adjust to preferred height and secure using Square Nut, M14 Special Bolt, and Washer.



Stock Info - The stock and receiver extension are both of the "MilSpec" diameter. As such, the stock may be used on any other MilSpec sized extension, and any other MilSpec stock may be used on M14/M1A Improved Modstock, Please note that if you do install a new buttstock onto this M14/M1A Improved Modstock, the replacement stock must be compatible with collapsible receiver extensions.



Sling Mounting - The M14/M1A Improved Modstock features multiple mounting points for a Quick Detachable Sling. Additional QD Sling Swivels can be purchased through VLTOR (part #QDS).



1. M1A Adapter
2. M14 Special Bolt
3. Washer
4. Square Nut

5. Receiver Extension Tube
6. Receiver Extension Cap
7. QD Sling Swivel (QDS)
8. EMOD Buttstock

Thank you for choosing VLTOR!

Visit our online store now
www.vltor.com



VLTOR Weapon Systems
3735 N. Romero Road
Tucson, Arizona 85705

Phone: 520-408-1944
Fax: 520-293-8807
Email: support@vltor.com