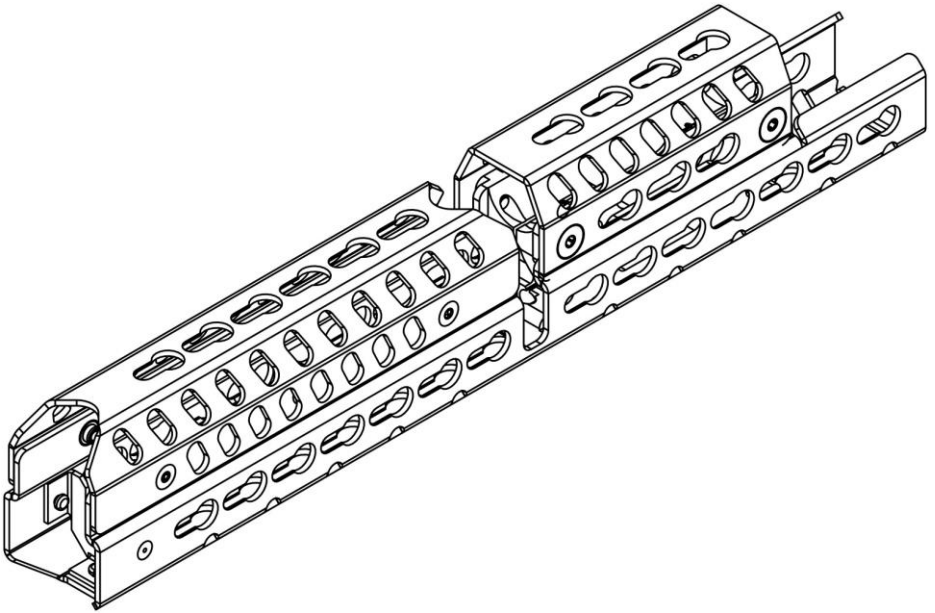




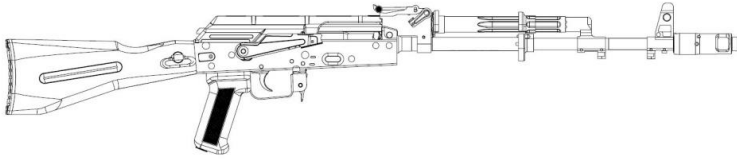
CMRD



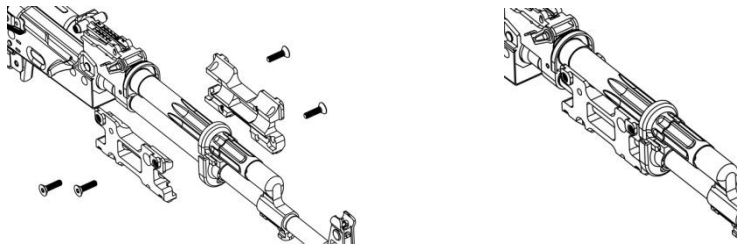
IMPROPER INSTALLATION CAN RESULT IN DAMAGE. DO NOT ATTEMPT INSTALLATION IF YOU ARE NOT FAMILIAR WITH THE FIREARM, TOOLS AND TECHNIQUES INVOLVED. YOU ARE RESPONSIBLE FOR ANY DAMAGE OR INJURY RESULTING FROM THE IMPROPER USE OR INSTALLATION OF THIS PRODUCT.

*** MAKE SURE THE WEAPON IS UNLOADED AND SAFE.**

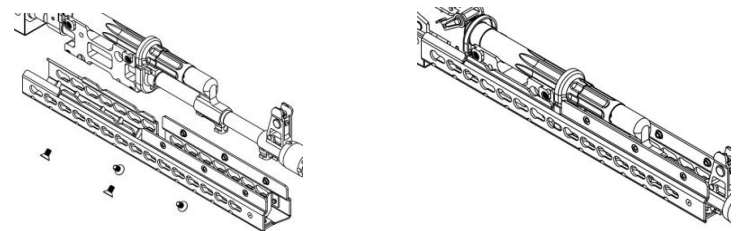
- 1. REMOVE EXISTING AK HANDGUARD FURNITURE, CLEANING ROD, AND CHECK REAR TRUNNION AND FRONT SIGHT ALIGNMENT. *NOTE YOUR TRUNNION AND FRONT SIGHT MAY NOT BE STRAIGHT FROM THE FACTORY.**



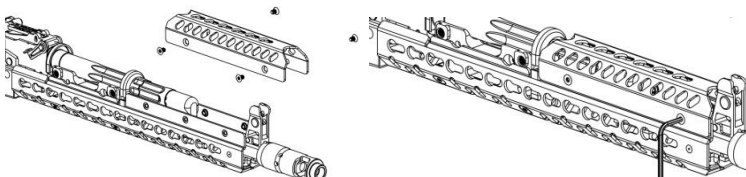
- 2. INSTALL THE BARREL CLAMP USING FOUR TORX T-25 HEAD SCREWS. DO NOT FULLY TIGHTEN THE CLAMP TO THE BARREL.**



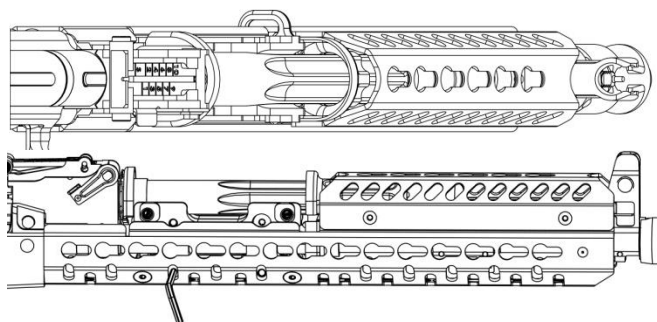
- 3. INSTALL THE BARREL CLAMP USING FOUR TORX T-25 HEAD SCREWS. DO NOT FULLY TIGHTEN THE CLAMP TO THE BARREL.**



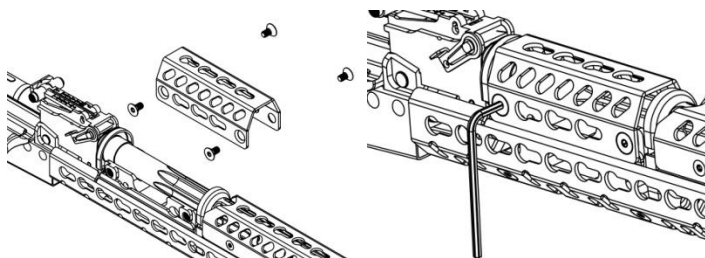
- 4. INSTALL THE BARREL CLAMP USING FOUR TORX T-25 HEAD SCREWS. DO NOT FULLY TIGHTEN THE CLAMP TO THE BARREL.**



5. ALIGN THE HANDGUARD BY ROTATING THE ENTIRE ASSEMBLY AROUND THE BARREL. WHEN SATISFIED WITH THE ALIGNMENT, FULLY TIGHTEN THE T-25 TORX HEAD SCREWS IN THE BARREL CLAMP. TORQUE TO 35-40 INCH LBS.



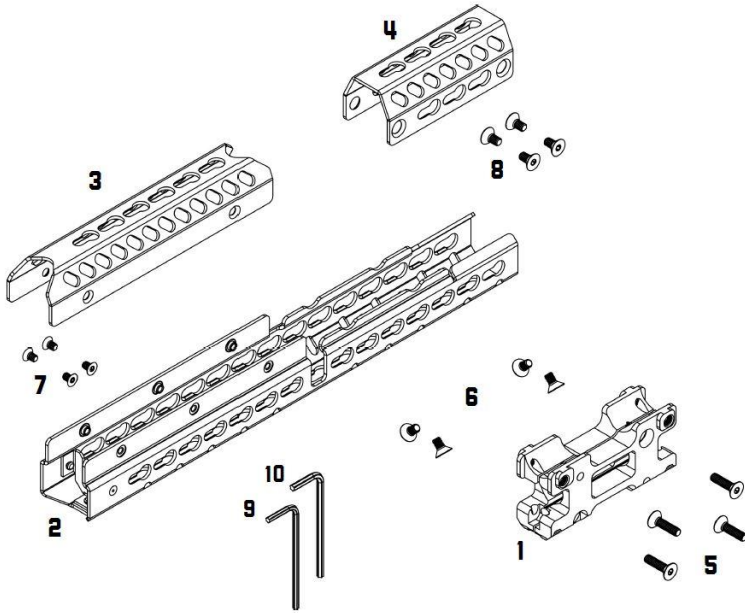
6. INSTALL THE REAR UPPER HANDGUARD USING THE FOUR TORX T-25 HEAD SCREWS. TORQUE TO 15-20 INCH LBS.



ACCESSORIES:

RAILS AND ACCESSORIES CAN BE ASSEMBLED WHEREVER A MOUNTING HOLE IS LOCATED. THESE RAILS AND ACCESSORIES CAN BE PLACED AT THE 3, 6, 9, AND 12 O'CLOCK POSITIONS. NOTE: BE SURE TO FOLLOW ALL MANUFACTURER'S MOUNTING INSTRUCTIONS WHEN INSTALLING KEYMOD ACCESSORIES TO THIS RAIL.

IF YOU ENCOUNTER ANY DIFFICULTIES OPERATING THE CMRD SYSTEM, OR IF YOUR QUALIFIED GUNSMITH/TECHNICIAN HAS QUESTIONS REGARDING INSTALLATION OF THE CMRD SYSTEM, FEEL FREE TO CONTACT VLTOR DIRECTLY, EITHER BY TELEPHONE AT (520) 408-1944 OR BY EMAIL: SUPPORT@VLTOR.COM. PLEASE VISIT WWW.VLTOR.COM FOR THE MOST UPDATED OPERATION/INSTALLATION MANUAL, NEW PRODUCTS, ACCESSORIES, FREQUENTLY ASKED QUESTIONS (FAQ), VLTOR NEWS, AND RELATED LINKS.



- 1. BARREL CLAMP
- 2. LOWER HANDGUARD
- 3. UPPER HANDGUARD FRONT
- 4. UPPER HANDGUARD REAR

- 5. BARREL CLAMP SCREWS T-25 TORX 10-32
- 6. LOWER HANDGUARD SCREWS T-25 TORX 10-32
- 7. UPPER HANDGUARD FRONT SCREWS T-15 TORX 8-32
- 8. UPPER HANDGUARD REAR SCREWS T-25 TORX 10-32
- 9. T-15 TORX WRENCH SHORT ARM
- 10. T-25 TORX WRENCH SHORT ARM

**THANK YOU FOR CHOOSING
VLTOR!**

**VISIT OUR ONLINE STORE NOW
WWW.VLTOR.COM**



VLTOR WEAPON SYSTEMS
3735 N. ROMERO ROAD
TUCSON, ARIZONA 85705

PHONE: 520-408-1944
FAX: 520-293-8807
EMAIL: SUPPORT@VLTOR.COM