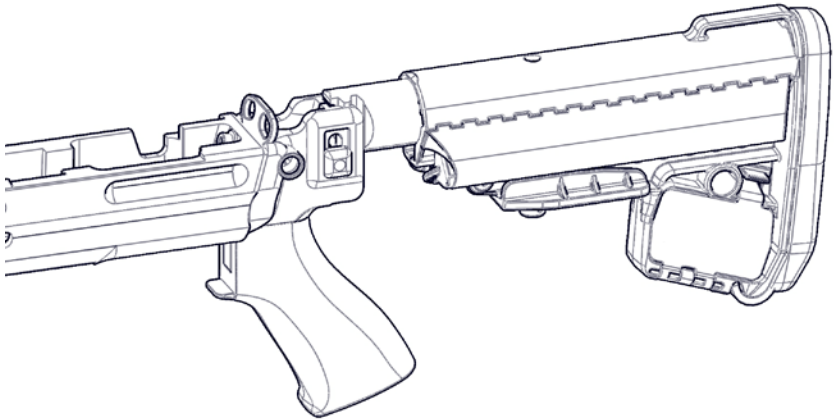




# VLTOR WEAPON SYSTEMS

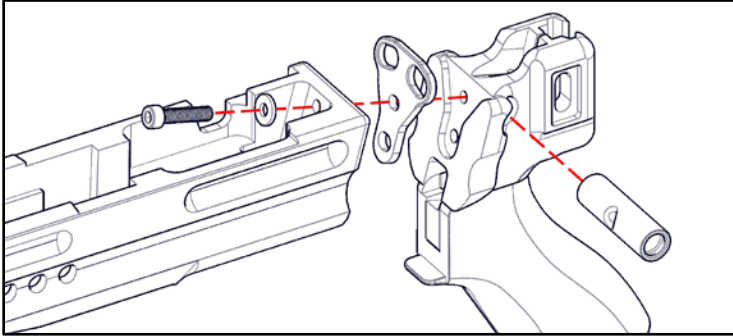
## SAGE EBR™ Stock Adapter



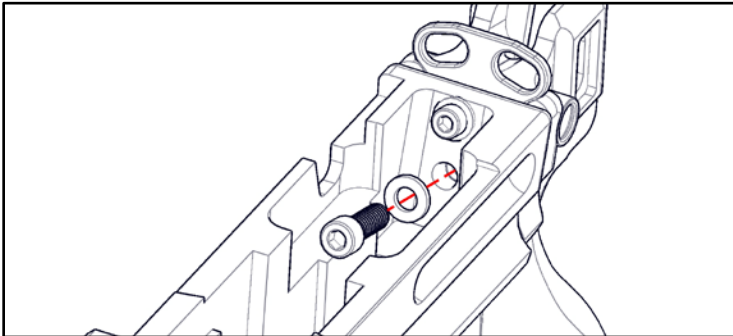
**STOP**  
**READ**  
**THIS!**

Improper installation can result in damage. Do not attempt installation if you are not familiar with the firearm, tools and techniques mentioned. You are responsible for any damage or injury resulting from the improper use or installation of this product.

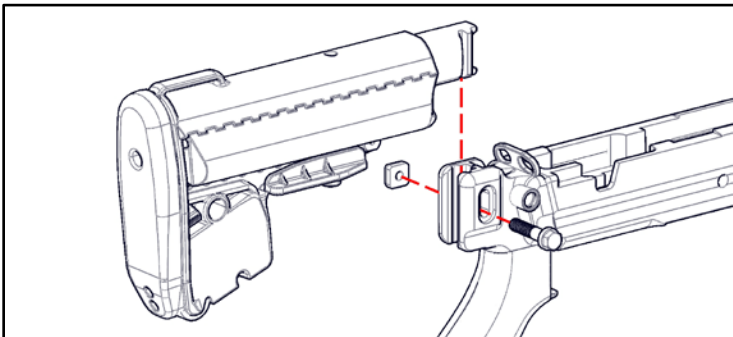
1. Place Plate Insert into EBR Adapter and secure against MK14 EBR using .875" Screw and accompanying Washer. Thread screw into Lock Sleeve Insert into adapter and tighten until snug.



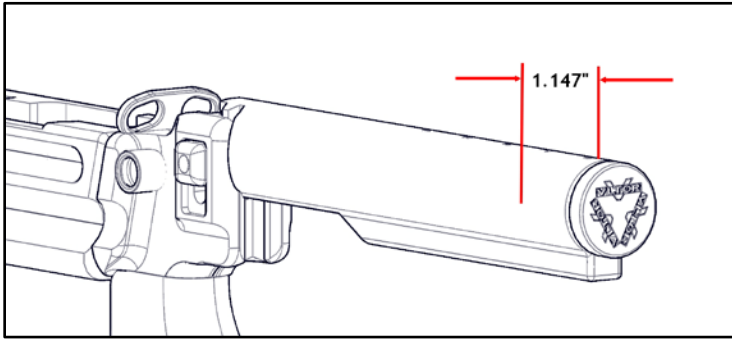
2. Install .750" screw and matching washer to further secure EBR Adapter.



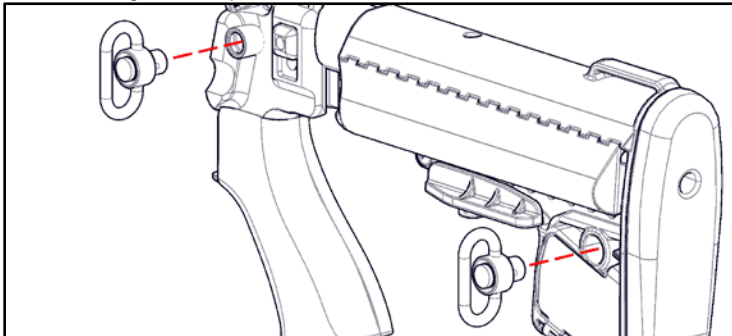
3. Slide Receiver Extension Tube into Adapter dovetail. Adjust to preferred height and secure using Square Nut, M14 Special Bolt, and Washer.



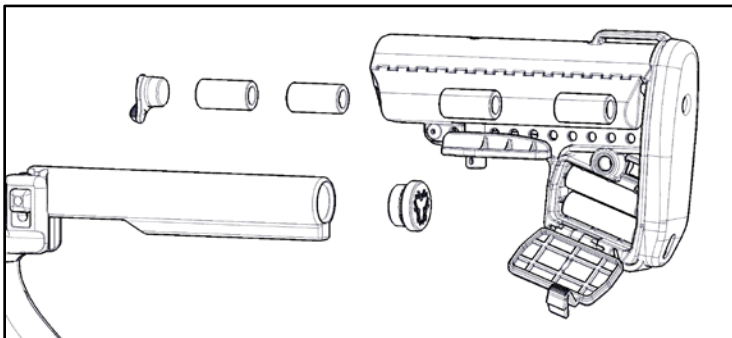
**Stock Info** - The stock and receiver extension are both of the "MilSpec" diameter. As such, the stock may be used on any other MilSpec sized extension, and any other MilSpec stock may be used on EBR Stock Adapter.

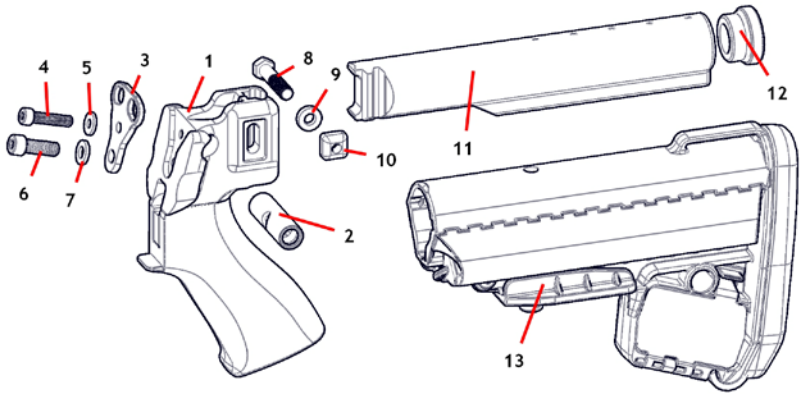


**Sling Mounting** - The EBR Adapter features multiple mounting points for a Quick Detachable Sling Swivel or HK-Style clasp. The QD Sling Swivel can be purchased through Vltor (part QDS).



**Compartment Storage** - The trapdoor compartment (water-resistant) is designed to hold a pair of AA batteries, while the cheekweld compartments (waterproof) are designed to hold four CR123 "Surefire" batteries on each side, but are capable of holding AA batteries, ear plugs, bore snakes, lube, etc.





- 1 - EBR Adapter
- 2 - Lock Sleeve Insert
- 3 - Sling Plate Insert
- 4 - .875" Screw
- 5 - Washer
- 6 - .750" Screw
- 7 - ¼" Washer
- 8 - M14 Special Bolt
- 9 - Washer, .260 x .480
- 10 - Square Nut
- 11 - Receiver Ext. Tube
- 12 - Receiver Ext. Cap
- 13 - EMOD Stock

## Vltor Weapon Systems

[www.vltor.com](http://www.vltor.com) - [support@vltor.com](mailto:support@vltor.com)  
(520) 408-1944 Fax (520) 293-8807

Thank you for choosing Vltor!

Copyright 2007 - Vltor Weapon Systems, all rights are reserved.  
SAGE is a registered trademark of SAGE Intl. Ltd.

**VISIT OUR ONLINE STORE NOW**  
**WWW.VLTORSTORE.COM**