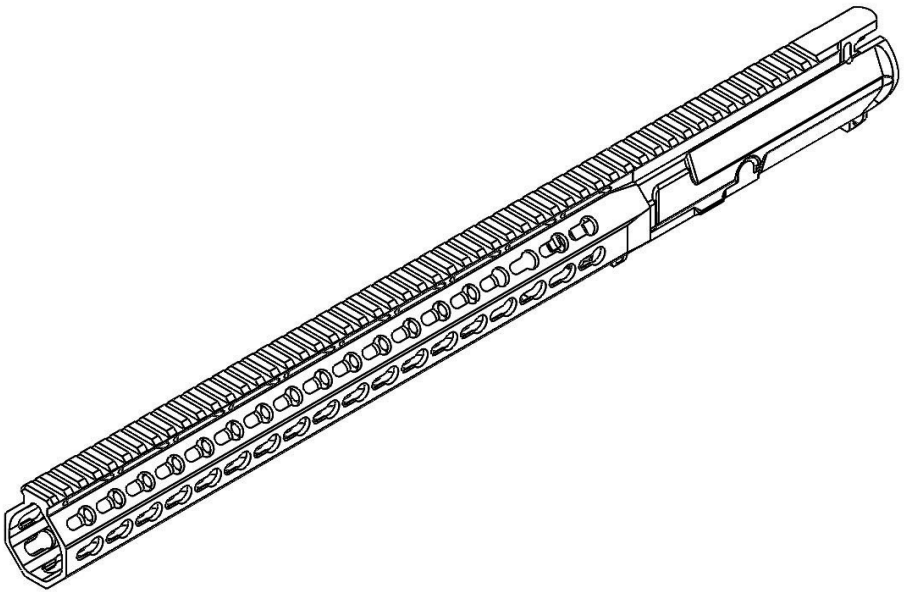


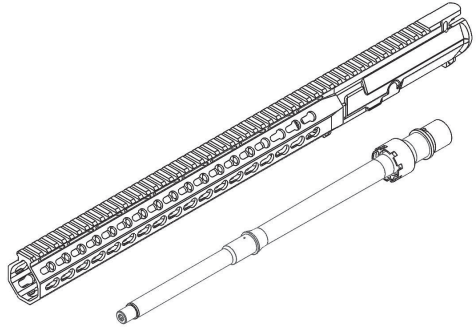


VIS: FUSION POLYLITHIC UPPER

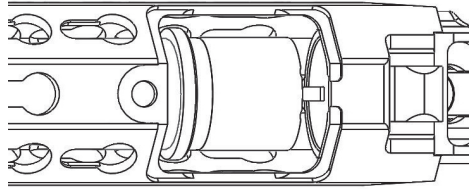


IMPROPER INSTALLATION CAN RESULT IN DAMAGE. DO NOT ATTEMPT INSTALLATION IF YOU ARE NOT FAMILIAR WITH THE FIREARM, TOOLS AND TECHNIQUES INVOLVED. YOU ARE RESPONSIBLE FOR ANY DAMAGE OR INJURY RESULTING FROM THE IMPROPER USE OR INSTALLATION OF THIS PRODUCT.

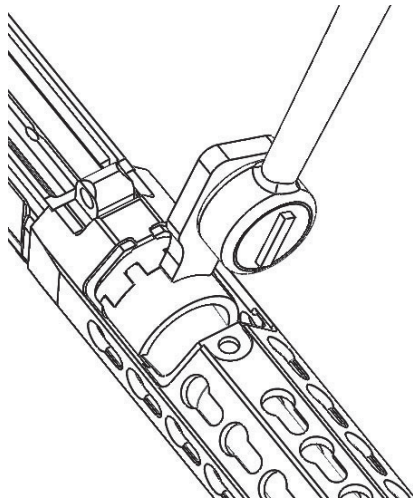
1. INSTALL BARREL NUT ONTO BARREL AND SECURE VIS FUSION RECEIVER.



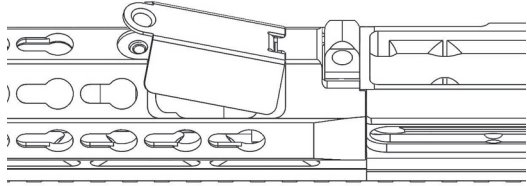
2. LUBRICATE BARREL EXTENSION AND GENTLY INSTALL INTO RECEIVER, ENSURING THAT THE INDEXING PIN EXTENSION IS ALIGNED WITH NOTCH IN VIS RECEIVER.



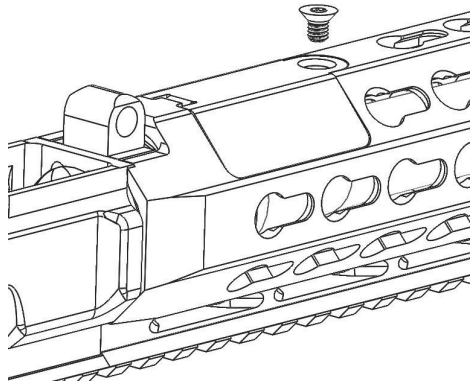
3. APPLY ANTI-SEIZE TO THREADS OF RECEIVER AND INSTALL BARREL NUT BY HAND. ONCE THREADED, USE THE INCLUDED BARREL NUT WRENCH TO TIGHTEN BARREL NUT CLOCKWISE TO 35-40 FOOT POUNDS (54.23NM).



4. INSTALL THE DOOR.



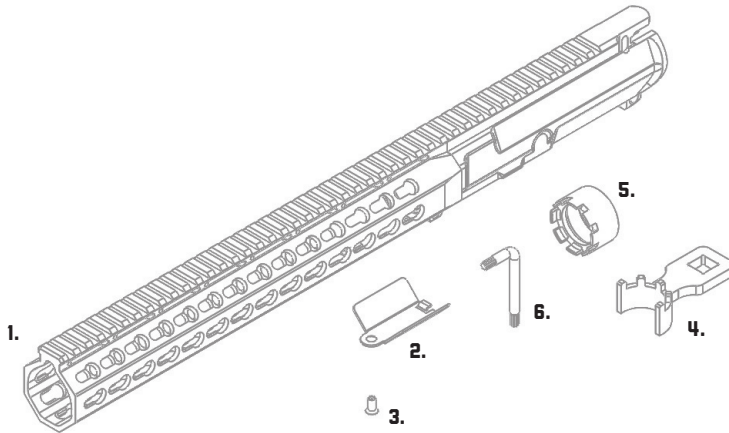
5. INSTALL THE SCREW.



ACCESSORIES:

RAILS AND ACCESSORIES CAN BE ASSEMBLED WHEREVER A MOUNTING HOLE IS LOCATED. THESE RAILS AND ACCESSORIES CAN BE PLACED AT THE 3, 6, AND 9 O'CLOCK POSITIONS INCLUDING THE 45-DEGREE POSITIONS.

IF YOU ENCOUNTER ANY DIFFICULTIES OPERATING THE VIS FUSION SYSTEM, OR IF YOUR QUALIFIED GUNSMITH/TECHNICIAN HAS QUESTIONS REGARDING ASSEMBLY OF THE VIS FUSION SYSTEM, FEEL FREE TO CONTACT VLTOR DIRECTLY, EITHER BY TELEPHONE AT (520) 408-1944 OR BY EMAIL: SUPPORT@VLTOR.COM. PLEASE VISIT WWW.VLTOR.COM FOR THE MOST UPDATED OPERATION/INSTALLATION MANUAL, NEW PRODUCTS, ACCESSORIES, FREQUENTLY ASKED QUESTIONS (FAQ), VLTOR NEWS, AND RELATED LINKS.



- 1. VIS RECEIVER
- 2. LOWER DOOR
- 3. LOWER DOOR SCREW

- 4. BARREL NUT WRENCH
- 5. BARREL NUT
- 6. HEX KEY

Thank you for choosing VLTOR!

Visit our online store now

www.vltor.com



VLTOR Weapon Systems
3735 N. Romero Road
Tucson, Arizona 85705

Phone: 520-408-1944
Fax: 520-293-8807
Email: support@vltor.com